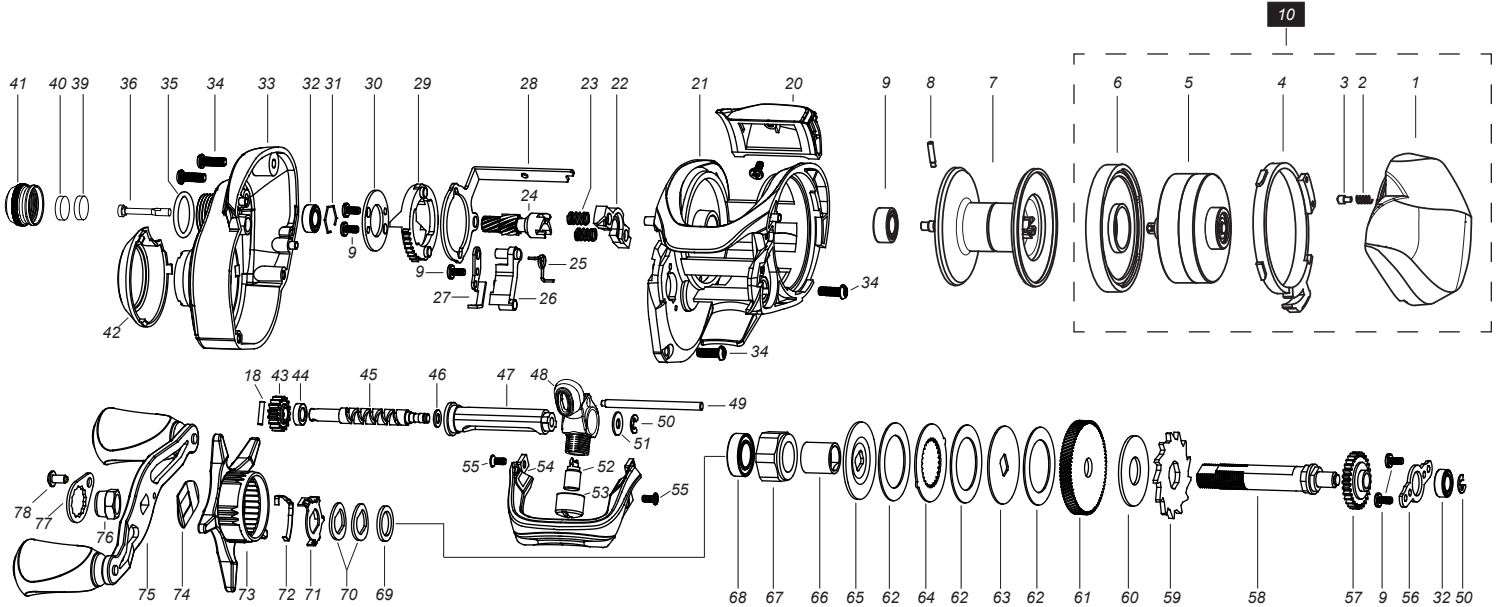


DRAKEN

1



PARTS ASSEMBLY



Part no. Part Name

- 1. Left side plate (R/L)
- 2. Switch spring
- 3. Switch pin
- 4. Switch (R/L)
- 5. Cast Guard Assembly (R/L)
- 6. Cast Guard Sideplate Cover
- 7. Spool
- 8. Bearing retainer A
- 9. Bearing A
- 10. Sideplate Assembly (R/L)

Part no. Part Name

- 21. Frame (R/L)
- 22. Yoke (R/L)
- 23. Yoke spring
- 24. Pinion gear (R/L)
- 25. Clutch cam spring (R/L)
- 26. Clutch trip plate pedestal (R/L)
- 27. Clutch trip plate (R/L)
- 28. Clutch cam A (R/L)
- 29. Clutch cam B (R/L)
- 30. Clutch cam plate
- 31. Bearing retainer B
- 32. Ball bearing D
- 33. Right side plate (R/L)
- 34. Right side plate screw
- 35. O-ring
- 36. Spindle top rod
- 39. Spacer A
- 40. Spacer B

Part no. Part Name

- 41. Cast control cap
- 42. Decorative piece A
- 43. Worm shaft gear A
- 44. Ball bearing C
- 45. Worm shaft
- 46. Spacer D
- 47. Worm shield
- 48. Line guide assembly
- 49. Guard pole
- 50. E-retainer
- 51. Spacer E
- 52. Line guide pawl
- 53. Pawl cap
- 54. Front plate (R/L)
- 55. Screw C
- 56. Drive shaft retainer
- 57. Worm shaft gear B
- 58. Drive shaft
- 59. Anti-reverse ratchet
- 60. Drive shaft washer

Part no. Part Name

- 61. Drive gear
- 62. Drag washer A
- 63. Drag washer B
- 64. Drag washer C
- 65. Drag washer D
- 66. One way clutch bushing
- 67. One way clutch
- 68. Ball bearing D
- 69. Washer A
- 70. Drag spring washer
- 71. Click leaf spring holder
- 72. Click leaf spring
- 73. Star drag assembly (R/L)
- 74. Friction washer
- 75. Handle assembly (2 Bearings)
- 76. Handle nut (R/L)
- 77. Handle nut retainer
- 78. Handle nut retainer screw

NOTE: Warranty void if CastGuard Assembly (part no. 5) is opened or tampered with.