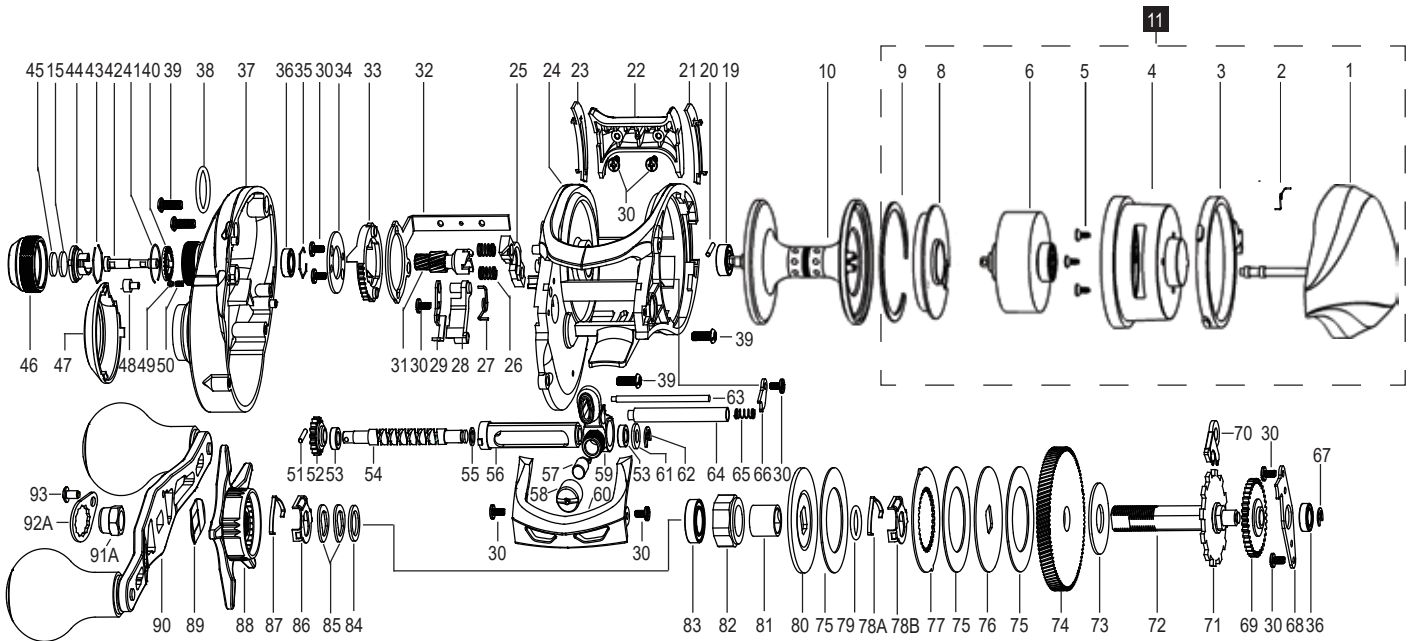


# GENESIS



## PARTS ASSEMBLY



**Part No. Part Name**

- 1. Left side plate (R/L)
- 2. Switch spring
- 3. Switch
- 4. CastGuard housing
- 5. CastGuard housing screws
- 6. CastGuard assembly (proprietary)
- 8. CastGuard housing cover lid
- 9. Retaining ring housing cover lid
- 10. Spool assembly
- 11. Sideplate Assembly (R/L)
- 19. Ball bearing B
- 20. Pin A
- 21. Clutch lever skateboard A
- 22. Clutch lever
- 23. Clutch lever skateboard B
- 24. Frame
- 24-1. Frame(R/L)

**Part No. Part Name**

- 25. Yoke
- 25-1. Yoke (R/L)
- 26. Yoke spring
- 27. Clutch cam spring
- 27-1. Clutch cam spring (R/L)
- 28. Clutch trip plate pedestal
- 28-1. Clutch trip plate pedestal(R/L)
- 29. Clutch trip plate
- 29-1. Clutch trip plate (R/L)
- 30. Screw A
- 31. Pinion gear
- 31-1. Pinion gear(R/L)
- 32. Clutch cam A
- 32-1. Clutch cam A(R/L)
- 33. Clutch cam B
- 33-1. Clutch cam A(R/L)
- 34. Clutch cam plate
- 35. Bearing retainer B
- 36. Ball bearing B
- 37. Right side plate assembly
- 37-1. Right side plate assembly (R/L)
- 38. O-ring A
- 39. Right side plate screw
- 40. Cast control cap clicker A
- 41. Ticking A retainer
- 42. Spindle top rod
- 43. Ticking B retainer
- 44. Cast control cap clicker B
- 45. Spacer B
- 46. Cast control cap
- 47. For future use

**Part No. Part Name**

- 48. Pillar
- 49. Clicker A
- 50. Clicker A spring
- 51. Pin B
- 52. Worm shaft gear A
- 53. Bushing
- 54. Worm shaft
- 55. Spacer C
- 56. Worm shield
- 57. Line guide pawl
- 58. Pawl cap
- 59. Line guide assembly
- 60. Front plate
- 61. Spacer D
- 62. E-retainer A
- 63. Guard pole
- 64. Stabilizer bar
- 65. Stabilizer bar screw
- 66. Stabilizer bar plate
- 67. E-retainer B
- 68. Drive shaft retainer
- 69. Worm shaft gear B
- 70. Instant anti-reverse assembly

**Part No. Part Name**

- 71. Anti-reverse ratchet
- 72. Drive shaft
- 72-1. Drive shaft (R/L)
- 73. Drive shaft washer
- 74. Drive gear
- 74-1. Drive gear (R/L)
- 75. Drag washer A
- 76. Drag washer B
- 77. Drag washer C
- 78A. Clickerspring
- 78B. Clicker
- 79. O-ring B
- 80. Drag washer D
- 81. One way clutch bushing
- 82. One way clutch
- 83. Ball bearing C
- 84. Washer A
- 85. Drag spring washer
- 86. Click leaf spring holder
- 87. Click leaf spring
- 88. Star drag assembly
- 88-1. Star drag assembly (R/L)
- 89. Friction washer
- 90. Handle assembly
- 91A. Handle nut
- 91A-1. Handle nut (LH)
- 92A. Handle nut retainer
- 93. Handle nut retainer screw

**NOTE: Warranty void if CastGuard™ Assembly (part no.6) is opened or tampered with.**